

Türkiye Genel Dağıtıcısı

**dinatek** hareket



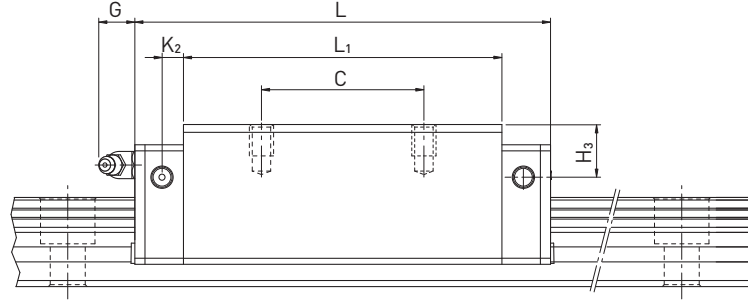
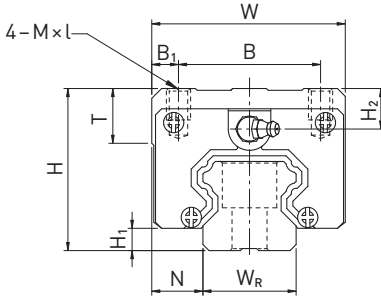
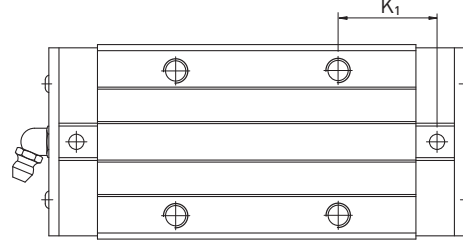
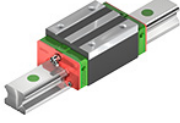
[www.dinatek.com.tr](http://www.dinatek.com.tr)

## HG serisi

HG serisinin Ölçüleri

HGH-CA / HGH-HA

Dar /Dar Uzun Bloklar



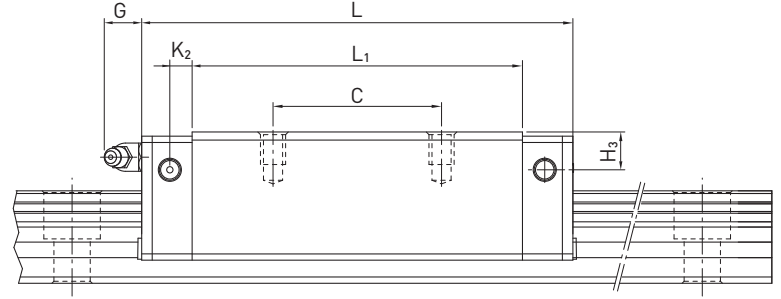
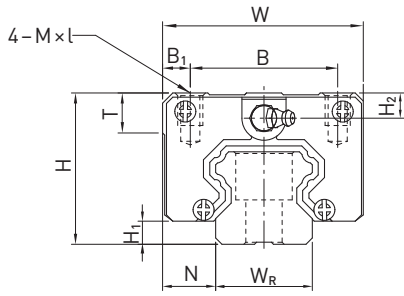
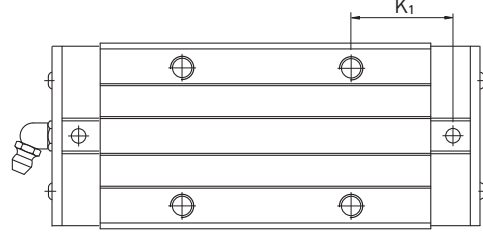
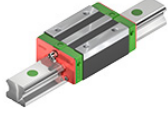
## Blok Ölçüleri

Seri	Montaj Ölç.(mm)			Blok ölçüleri (mm)													Yük De eri (N)		A ır. (kg)
	H	H <sub>1</sub>	N	W	B	B <sub>1</sub>	C	L <sub>1</sub>	L	K <sub>1</sub>	K <sub>2</sub>	G	M x l	T	H <sub>2</sub>	H <sub>3</sub>	C <sub>dyn</sub>	C <sub>0</sub>	
HGH15CA	28	4,3	9,5	34	26,0	4,0	26	39,4	61,4	10,00	4,85	5,3	M4 x 5	6,0	7,95	7,7	11380	16970	0,18
HGH20CA	30	4,6	12,0	44	32,0	6,0	36	50,5	77,5	12,25	6,00	12,0	M5 x 6	8,0	6,00	6,0	17750	27760	0,30
HGH20HA							50	65,2	92,2	12,60							21180	35900	0,39
HGH25CA	40	5,5	12,5	48	35,0	6,5	35	58,0	84,0	16,80	6,00	12,0	M6 x 8	8,0	10,00	9,0	26480	36490	0,51
HGH25HA							50	78,6	104,6	19,60							32750	49440	0,69
HGH30CA	45	6,0	16,0	60	40,0	10,0	40	70,0	97,4	20,25	6,00	12,0	M8 x 10	8,5	9,50	13,8	38740	52190	0,88
HGH30HA							60	93,0	120,4	21,75							47270	69160	1,16
HGH35CA	55	7,5	18,0	70	50,0	10,0	50	80,0	112,4	20,60	7,00	12,0	M8 x 12	10,2	16,00	19,6	49520	69160	1,45
HGH35HA							72	105,8	138,2	22,50							60210	91630	1,92
HGH45CA	70	9,5	20,5	86	60,0	13,0	60	97,0	139,4	23,00	10,00	12,9	M10 x 17	16,0	18,50	30,5	77570	102710	2,73
HGH45HA							80	128,8	171,2	28,90							94540	136460	3,61
HGH55CA	80	13,0	23,5	100	75,0	12,5	75	117,7	166,7	27,35	11,00	12,9	M12 x 18	17,5	22,00	29,0	114440	148330	4,17
HGH55HA							95	155,8	204,8	36,40							139350	196200	5,49
HGH65CA	90	15,0	31,5	126	76,0	25,0	70	144,2	200,2	43,10	14,00	12,9	M16 x 20	25,0	15,00	15,0	163630	215330	7,00
HGH65HA							120	203,6	259,6	47,80							208360	303130	9,82

## HG serisi

HGL-CA / HGL-HA

Dar Alçak/Dar Alçak Uzun Bloklar



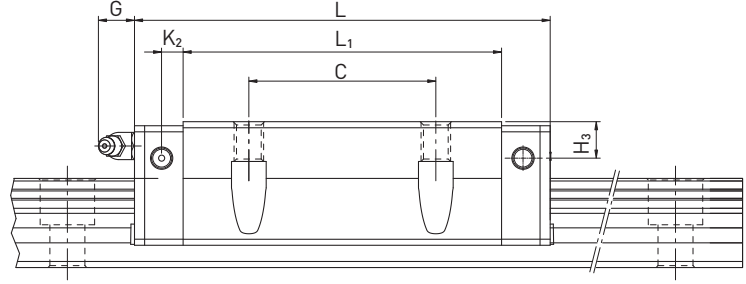
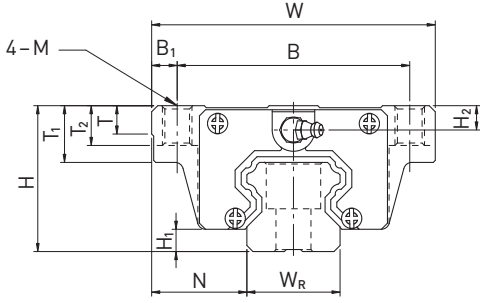
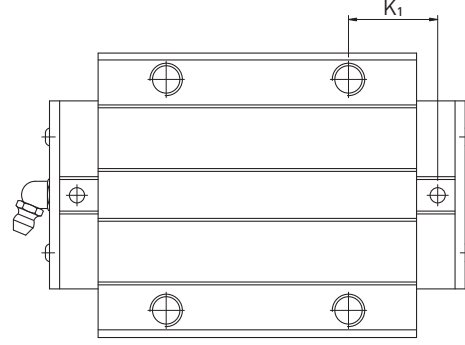
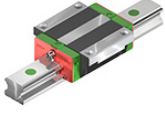
## Blok Ölçüleri

Seri	Montaj Ölç.(mm)			Blok ölçüleri (mm)													Yük De eri (N)		A ır. (kg)
	H	H <sub>1</sub>	N	W	B	B <sub>1</sub>	C	L <sub>1</sub>	L	K <sub>1</sub>	K <sub>2</sub>	G	M x l	T	H <sub>2</sub>	H <sub>3</sub>	C <sub>dyn</sub>	C <sub>0</sub>	
HGL15CA	24	4,3	9,5	34	26,0	4,0	26	39,4	61,4	10,00	4,85	5,3	M4 x 4	6,0	3,95	3,7	11380	16970	0,14
HGL25CA	36	5,5	12,5	48	35,0	6,5	35	58,0	84,0	15,70	6,00	12,0	M6 x 6	8,0	6,00	5,0	26480	36490	0,42
HGL25HA							50	78,6	104,6	18,50							32750	49440	0,57
HGL30CA	42	6,0	16,0	60	40,0	10,0	40	70,0	97,4	20,25	6,00	12,0	M8 x 10	8,5	6,50	10,8	38740	52190	0,78
HGL30HA							60	93,0	120,4	21,75							47270	69160	1,03
HGL35CA	48	7,5	18,0	70	50,0	10,0	50	80,0	112,4	20,60	7,00	12,0	M8 x 12	10,2	9,00	12,6	49520	69160	1,14
HGL35HA							72	105,8	138,2	22,50							60210	91630	1,52
HGL45CA	60	9,5	20,5	86	60,0	13,0	60	97,0	139,4	23,00	10,00	12,9	M10 x 17	16,0	8,50	20,5	77570	102710	2,08
HGL45HA							80	128,8	171,2	28,90							94540	136460	2,75
HGL55CA	70	13,0	23,5	100	75,0	12,5	75	117,7	166,7	27,35	11,00	12,9	M12 x 18	17,5	12,00	19,0	114440	148330	3,25
HGL55HA							95	155,8	204,8	36,40							139350	196200	4,27

## HG serisi

HGW-CC / HGW-HC

Geni /Geni Uzun Bloklar

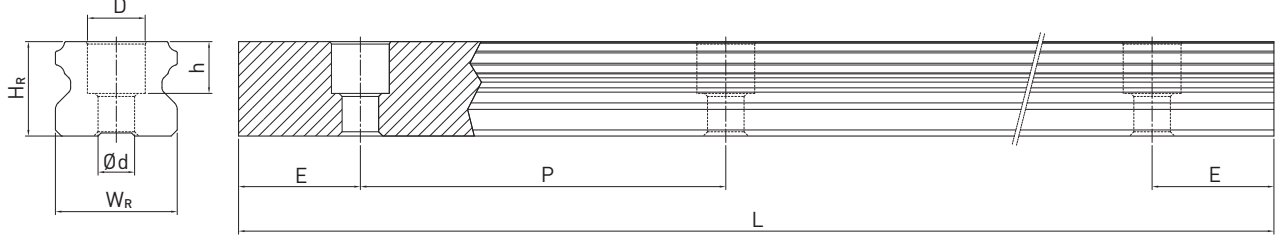


## Blok Ölçüleri

Seri	Montaj Ölç.(mm)			Blok ölçüleri (mm)																Yük De eri (N)		A ır. (kg)
	H	H <sub>1</sub>	N	W	B	B <sub>1</sub>	C	L <sub>1</sub>	L	K <sub>1</sub>	K <sub>2</sub>	M	G	T	T <sub>1</sub>	T <sub>2</sub>	H <sub>2</sub>	H <sub>3</sub>	C <sub>dyn</sub>	C <sub>0</sub>		
HGW15CC	24	4,3	16,0	47	38,0	4,5	30	39,4	61,4	8,00	4,85	M5	5,3	6,0	8,9	7,0	3,95	3,7	11380	16970	0,17	
HGW20CC	30	4,6	21,5	63	53,0	5,0	40	50,5	77,5	10,25	6,00	M6	12,0	8,0	10,0	9,5	6,00	6,0	17750	27760	0,40	
HGW20HC								65,2	92,2	17,60									21180	35900	0,52	
HGW25CC	36	5,5	23,5	70	57,0	6,5	45	58,0	84,0	10,70	6,00	M8	12,0	8,0	14,0	10,0	6,00	5,0	26480	36490	0,59	
HGW25HC								78,6	104,6	21,00									32750	49440	0,80	
HGW30CC	42	6,0	31,0	90	72,0	9,0	52	70,0	97,4	14,25	6,00	M10	12,0	8,5	16,0	10,0	6,50	10,8	38740	52190	1,09	
HGW30HC								93,0	120,4	25,75									47270	69160	1,44	
HGW35CC	48	7,5	33,0	100	82,0	9,0	62	80,0	112,4	14,60	7,00	M10	12,0	10,1	18,0	13,0	9,00	12,6	49520	69160	1,56	
HGW35HC								105,8	138,2	27,50									60210	91630	2,06	
HGW45CC	60	9,5	37,5	120	100,0	10,0	80	97,0	139,4	13,00	10,00	M12	12,9	15,1	22,0	15,0	8,50	20,5	77570	102710	2,79	
HGW45HC								128,8	171,2	28,90									94540	136460	3,69	
HGW55CC	70	13,0	43,5	140	116,0	12,0	95	117,7	166,7	17,35	11,00	M14	12,9	17,5	26,5	17,0	12,00	19,0	114440	148330	4,52	
HGW55HC								155,8	204,8	36,40									139350	196200	5,96	
HGW65CC	90	15,0	53,5	170	142,0	14,0	110	144,2	200,2	23,10	14,00	M16	12,9	25,0	37,5	23,0	15,00	15,0	163630	215330	9,17	
HGW65HC								203,6	259,6	52,80									208360	303130	12,89	

# HG serisi

## HG Linear Yatak Ölçüleri



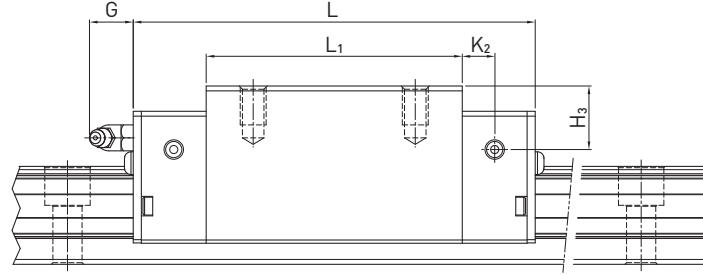
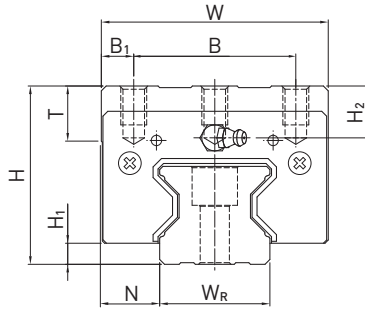
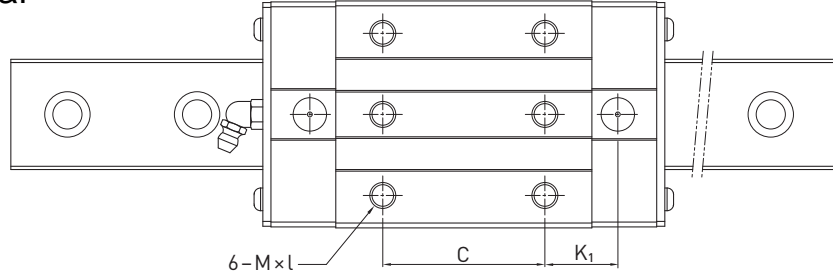
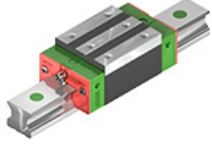
## Üstten Montajlı HG Linear Yatak Ölçüleri

Seri	Ray Montaj Cıvatası	Linear yatak ölçüleri (mm)						Max uzunluk (mm)	Max uzunluk $E_1 = E_2$	$E_{1/2}$ min [mm]	$E_{1/2}$ max [mm]	A ırlık [kg/m]
		$W_R$	$H_R$	D	h	d	P					
HGR15R	M4 × 16	15	15,0	7,5	5,3	4,5	60,0	4000	3900	6	54	1,45
HGR20R	M5 × 16	20	17,5	9,5	8,5	6,0	60,0	4000	3900	7	53	2,21
HGR25R	M6 × 20	23	22,0	11,0	9,0	7,0	60,0	4000	3900	8	52	3,21
HGR30R	M8 × 25	28	26,0	14,0	12,0	9,0	80,0	4000	3920	9	71	4,47
HGR35R	M8 × 25	34	29,0	14,0	12,0	9,0	80,0	4000	3920	9	71	6,30
HGR45R	M12 × 35	45	38,0	20,0	17,0	14,0	105,0	4000	3885	12	93	10,41
HGR55R	M14 × 45	53	44,0	23,0	20,0	16,0	120,0	4000	3840	14	106	15,08
HGR65R	M16 × 50	63	53,0	26,0	22,0	18,0	150,0	4000	3750	15	135	21,18

## RG serisi

## RGH-CA / RGH-HA

## Dar/Dar Uzun Bloklar



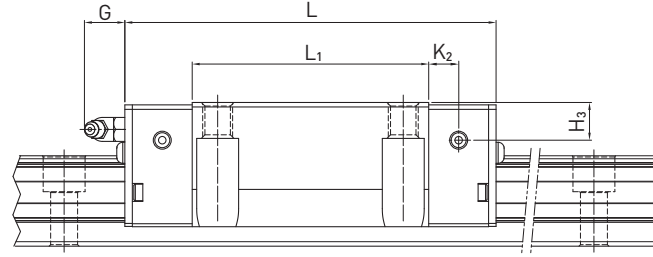
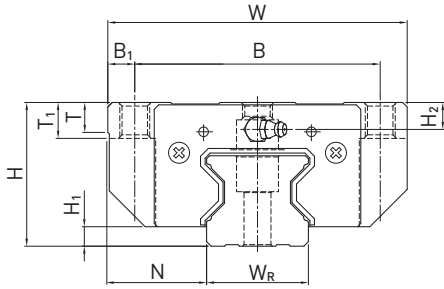
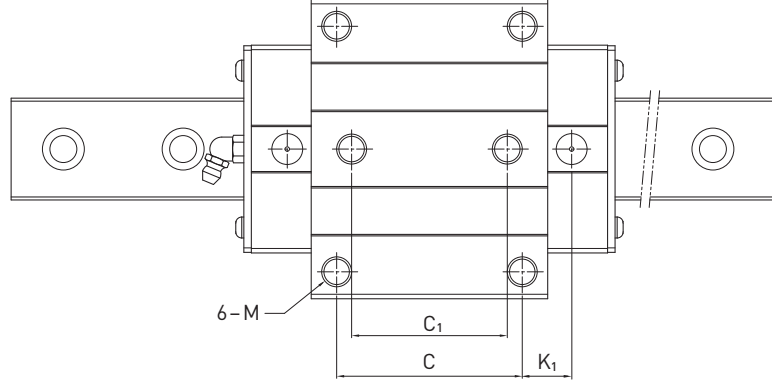
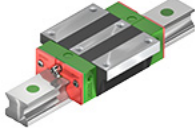
## Blok Ölçüleri

Seri	Montaj Ölç.(mm)			Blok ölçüleri (mm)													Yük De eri (N)		A ır. [kg]
	H	H <sub>1</sub>	N	W	B	B <sub>1</sub>	C	L <sub>1</sub>	L	K <sub>1</sub>	K <sub>2</sub>	G	M x l	T	H <sub>2</sub>	H <sub>3</sub>	C <sub>dyn</sub>	C <sub>0</sub>	
RGH25CA	40	5,5	12,5	48	35,0	6,5	35	64,5	97,9	20,75	7,25	12,0	M6 x 8	9,5	10,20	10,0	27700	57100	0,61
RGH25HA							50	81,0	114,4	21,50							33900	73400	0,75
RGH30CA	45	6,0	16,0	60	40,0	10,0	40	71,0	109,8	23,50	8,00	12,0	M8 x 10	9,5	9,50	10,3	39100	82100	0,90
RGH30HA							60	93,0	131,8	24,50							48100	105000	1,16
RGH35CA	55	6,5	18,0	70	50,0	10,0	50	79,0	124,0	22,50	10,00	12,0	M8 x 12	12,0	16,00	19,6	57900	105200	1,57
RGH35HA							72	106,5	151,5	25,25							73100	142000	2,06
RGH45CA	70	8,0	20,5	86	60,0	13,0	60	106,0	153,2	31,00	10,00	12,9	M10 x 17	16,0	20,00	24,0	92600	178800	3,18
RGH45HA							80	139,8	187,0	37,90							116000	230900	4,13
RGH55CA	80	10,0	23,5	100	75,0	12,5	75	125,5	183,7	37,75	12,50	12,9	M12 x 18	17,5	22,00	27,5	130500	252000	4,89
RGH55HA							95	173,8	232,0	51,90							167800	348000	6,68
RGH65CA	90	12,0	31,5	126	76,0	25,0	70	160,0	232,0	60,80	15,80	12,9	M16 x 20	25,0	15,00	15,0	213000	411600	8,89
RGH65HA							120	223,0	295,0	67,30							275300	572700	12,13

## RG serisi

RGW-CC / RGW-HC

Geni /Geni Uzun Bloklar

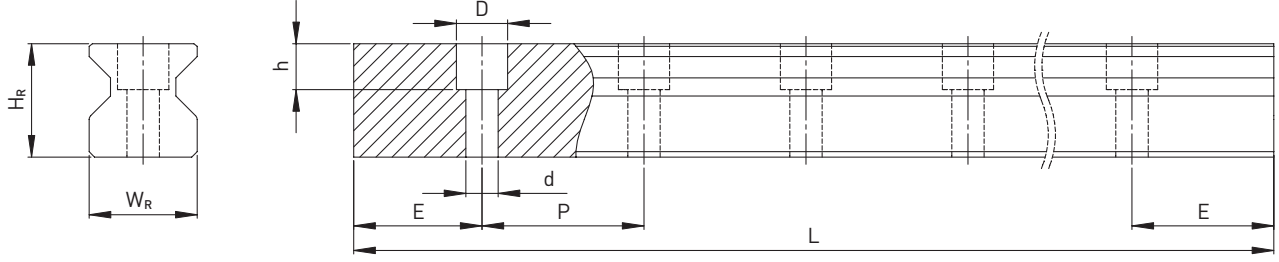


## Blok Ölçüleri

Seri	Montaj Ölç.(mm)		Blok ölçüleri (mm)														Yük De eri (N)		A ır. [kg]		
	H	H <sub>1</sub>	N	W	B	B <sub>1</sub>	C	C <sub>1</sub>	L <sub>1</sub>	L	K <sub>1</sub>	K <sub>2</sub>	G	M	T	T <sub>1</sub>	H <sub>2</sub>	H <sub>3</sub>		C <sub>dyn</sub>	C <sub>0</sub>
RGW25CC	36	5,5	23,5	70	57	6,5	45	40	64,5	97,9	15,75	7,25	12,0	M8	9,5	10	6,20	6,0	27700	57100	0,72
RGW25HC									81,0	114,4	24,00								33900	73400	0,91
RGW30CC	42	6,0	31,0	90	72	9	52	44	71,0	109,8	17,50	8,00	12,0	M10	9,5	10	6,50	7,3	39100	82100	1,16
RGW30HC									93,0	131,8	28,50								48100	105000	1,52
RGW35CC	48	6,5	33,0	100	82	9	62	52	79,0	124,0	16,50	10,00	12,0	M10	12,0	13	9,00	12,6	57900	105200	1,75
RGW35HC									106,5	151,5	30,25								73100	142000	2,40
RGW45CC	60	8,0	37,5	120	100	10	80	60	106,0	153,2	21,00	10,00	12,9	M12	14,0	15	10,00	14,0	92600	178800	3,43
RGW45HC									139,8	187,0	37,90								116000	230900	4,57
RGW55CC	70	10,0	43,5	140	116	12	95	70	125,5	183,7	27,75	12,50	12,9	M14	16,0	17	12,00	17,5	130500	252000	5,43
RGW55HC									173,8	232,0	51,90								167800	348000	7,61
RGW65CC	90	12,0	53,5	170	142	14	110	82	160,0	232,0	40,80	15,80	12,9	M16	22,0	23	15,00	15,0	213000	411600	11,63
RGW65HC									223,0	295,0	72,30								275300	572700	16,58

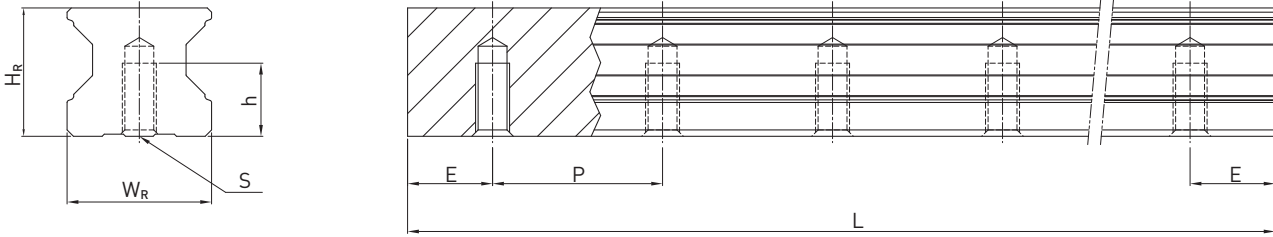
## RG serisi

## RG Linear Yatak Ölçüleri



## Üstten montajlı

Seri	Ray Montaj Cıvatası	Linear yatak ölçüleri (mm)						Max uzunluk [mm]	Max uzunluk $E_1 = E_2$	$E_{1/2}$ min [mm]	$E_{1/2}$ max [mm]	A ırlık [kg/m]
		$W_R$	$H_R$	D	h	d	P					
RGR25R	M6 × 20	23	23,6	11,0	9,0	7,0	30,0	4000	3960	8	22	3,08
RGR30R	M8 × 25	28	28,0	14,0	12,0	9,0	40,0	4000	3920	9	31	4,41
RGR35R	M8 × 25	34	30,2	14,0	12,0	9,0	40,0	4000	3920	9	31	6,06
RGR45R	M12 × 35	45	38,0	20,0	17,0	14,0	52,5	4000	3937,5	12	40,5	9,97
RGR55R	M14 × 45	53	44,0	23,0	20,0	16,0	60,0	4000	3900	14	46	13,98
RGR65R	M16 × 50	63	53,0	26,0	22,0	18,0	75,0	4000	3900	15	60	20,22



## Altan montajlı

A ırlık	Linear yatak ölçüleri (mm)					Max uzunluk [mm]	Max uzunluk $E_1 = E_2$	$E_{1/2}$ min [mm]	$E_{1/2}$ max [mm]	A ırlık [kg/m]
	$W_R$	$H_R$	S	h	P					
RGR25T	23	23,6	M6	12,0	30,0	4000	3960	8	22	3,08
RGR30T	28	28,0	M8	15,0	40,0	4000	3920	9	31	4,41
RGR35T	34	30,2	M8	17,0	40,0	4000	3920	9	31	6,06
RGR45T	45	38,0	M12	24,0	52,5	4000	3937,5	12	40,5	9,97
RGR55T	53	44,0	M14	24,0	60,0	4000	3900	14	46	13,98
RGR65T	63	53,0	M20	30,0	75,0	4000	3900	15	60	20,22



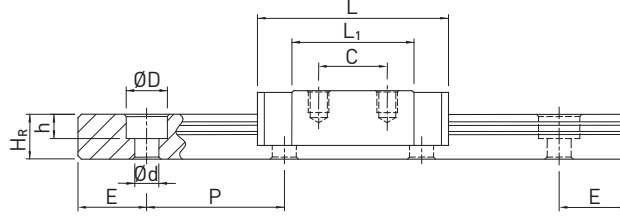
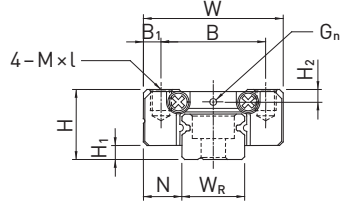
## MG serisi

## MGN-C / MGN-H

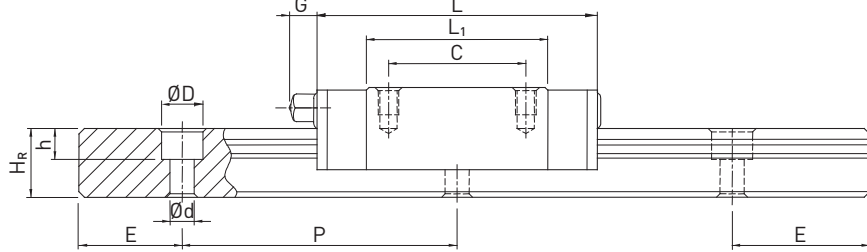
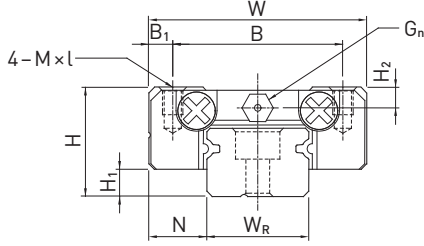
## Dar/Dar Uzun Bloklar



MGN7, MGN9, MGN12



MGN15



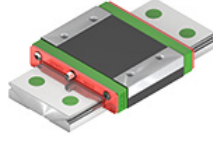
## Blok Ölçüleri

Seri	Montaj Ölç. (mm)			Blok ölçüleri (mm)										Yük De eri (N)		A ır. (kg)
	H	H <sub>1</sub>	N	W	B	B <sub>1</sub>	C	L <sub>1</sub>	L	G	G <sub>n</sub>	M × l	H <sub>2</sub>	C <sub>dyn</sub>	C <sub>0</sub>	
MGN07C	8	1,5	5,0	17	12	2,5	8	13,5	22,5	0	Ø 1,2	M2 × 2,5	1,5	980	1240	0,01
MGN07H							13	21,8	30,8					1370	1960	0,02
MGN09C	10	2	5,5	20	15	2,5	10	18,9	28,9	0	Ø 1,4	M3 × 3	1,8	1860	2550	0,02
MGN09H							16	29,9	39,9					2550	4020	0,03
MGN12C	13	3	7,5	27	20	3,5	15	21,7	34,7	0	Ø 2	M3 × 3,5	2,5	2840	3920	0,03
MGN12H							20	32,4	45,4					3720	5880	0,05
MGN15C	16	4	8,5	32	25	3,5	20	26,7	42,1	4,5	M3	M3 × 4	3	4610	5590	0,06
MGN15H							25	43,4	58,8					6370	9110	0,09

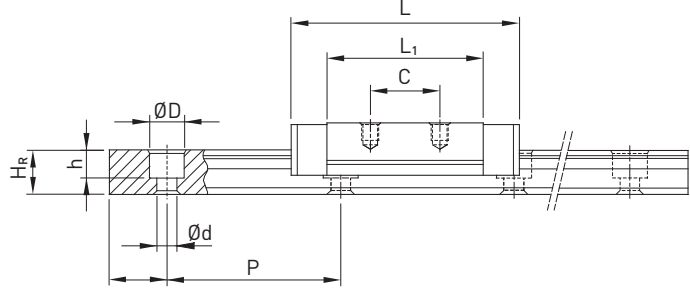
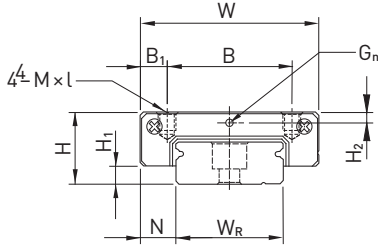
## MG serisi

## MGW-C / MGW-H

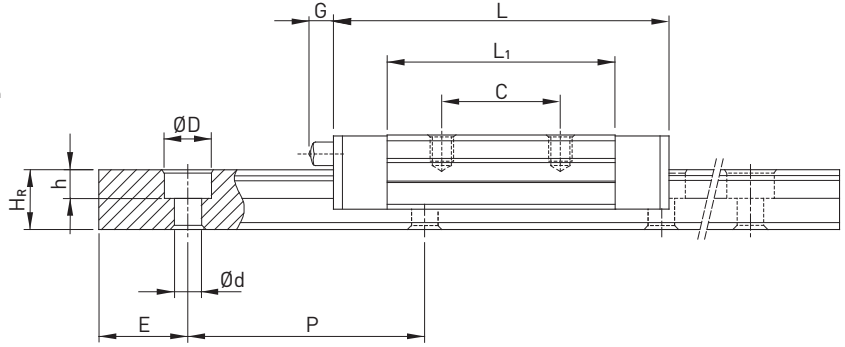
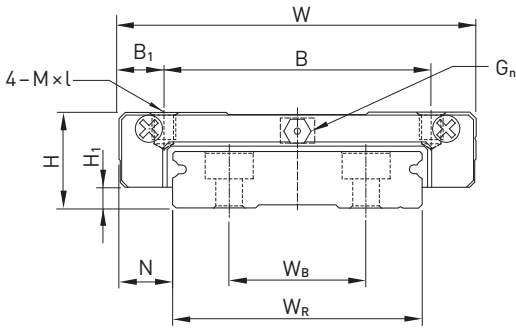
## Geni /Geni Uzun Bloklar



MGW7, MGW9, MGW12



MGW15



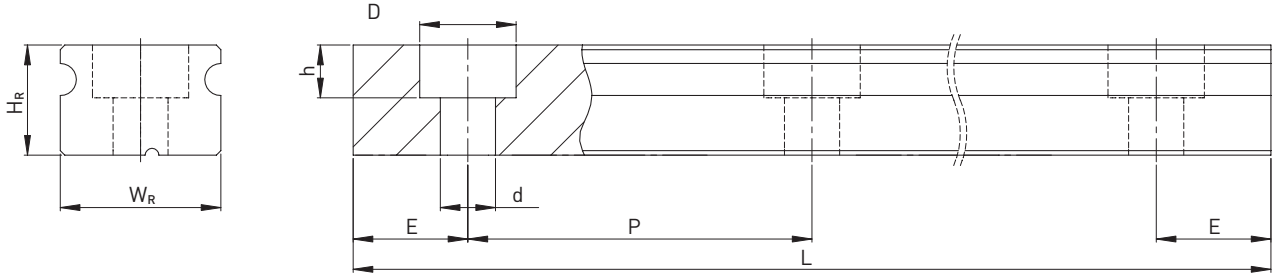
## Blok Ölçüleri

Seri	Montaj Ölç.(mm)			Blok ölçüleri (mm)										Yük De eri (N)		A ır. (kg)
	H	H <sub>1</sub>	N	W	B	B <sub>1</sub>	C	L <sub>1</sub>	L	G	G <sub>n</sub>	M × l	H <sub>2</sub>	C <sub>dyn</sub>	C <sub>0</sub>	
MGW07C	9	1,9	5,5	25	19	3	10	21	31,2	0	Ø1,2	M3 × 3	1,85	1370	2060	0,02
MGW07H							19	30,8	41					1770	3140	0,03
MGW09C	12	2,9	6,0	30	21	4,5	12	27,5	39,3	0	Ø1,4	M3 × 3	2,4	2750	4120	0,04
MGW09H					23	3,5	24	38,5	50,7					3430	5890	0,06
MGW12C	14	3,4	8,0	40	28	6	15	31,3	46,1	0	Ø2	M3 × 3,6	2,8	3920	5590	0,07
MGW12H							28	45,6	60,4					5100	8240	0,10
MGW15C	16	3,4	9,0	60	45	7,5	20	38	54,8	5,2	M3	M4 × 4,2	3,2	6770	9220	0,14
MGW15H							35	57	73,8					8930	13380	0,22

## MG serisi

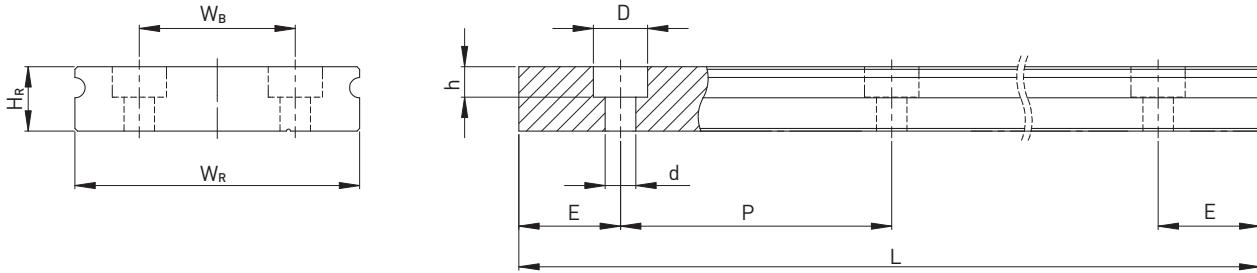
## MG Linear Yatak Ölçüleri

## MGN Serisi



Seri	Ray Montaj Cıvatası	Linear yatak ölçüleri (mm)						Max uzunluk [mm]	Max uzunluk $E_1 = E_2$	$E_{1/2}$ min [mm]	$E_{1/2}$ max [mm]	A ırlık [kg/m]
		$W_R$	$H_R$	$D$	$h$	$d$	$P$					
MGNR07R	M2 × 6	7	8	6,2	2,3	2,4	15,0	600	585	5	10	0,22
MGNR09R	M3 × 8	9	6,5	6,0	3,5	3,5	20,0	1200	1180	5	15	0,38
MGNR12R	M3 × 8	12	8,0	6,0	4,5	3,5	25,0	2000	1975	5	20	0,65
MGNR15R	M3 × 10	15	10,0	6,0	5	3,5	40,0	2000	1960	6	34	1,06

## MGW Serisi



Seri	Ray Montaj Cıvatası	Linear yatak ölçüleri (mm)						Max uzunluk [mm]	Max uzunluk $E_1 = E_2$ [mm]	$E_{1/2}$ min [mm]	$E_{1/2}$ max [mm]	A ırlık [kg/m]	
		$W_R$	$H_R$	$W_B$	$D$	$h$	$d$						$P$
MGWR07R	M3 × 6	14	5,2	—	6,0	3,2	3,5	30	600	570	6	24	0,51
MGWR09R	M3 × 8	18	7,0	—	6,0	4,5	3,5	30	1200	1170	6	24	0,91
MGWR12R	M4 × 8	24	8,5	—	8,0	4,5	4,5	40	2000	1960	8	32	1,49
MGWR15R	M4 × 10	42	9,5	23	8,0	4,5	4,5	40	2000	1960	8	32	2,86

# EG serisi

## EGH-SA / EGH-CA

### Dar/Dar Uzun Bloklar

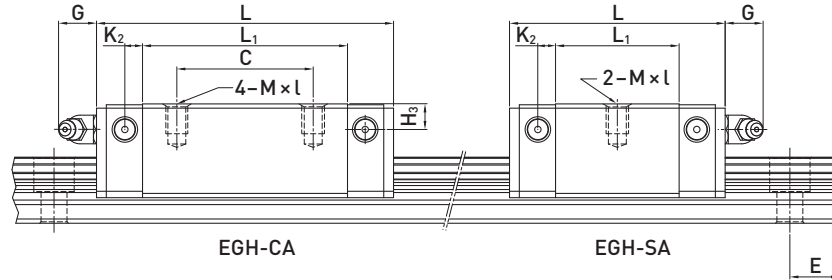
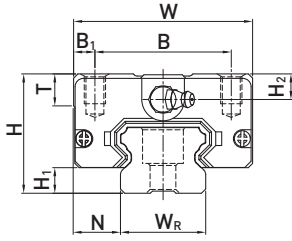
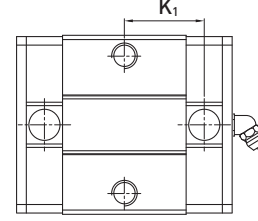
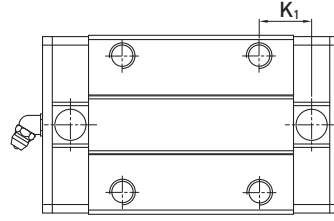
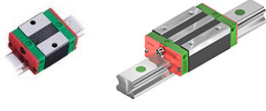


Table 1.35 Dimensions of the block

Series Size	Installation dim. [mm]			Dimensions of the block [mm]													Load Ratings [N]		Mass [kg]
	H	H <sub>1</sub>	N	W	B	B <sub>1</sub>	C	L <sub>1</sub>	L	K <sub>1</sub>	K <sub>2</sub>	G	M × l	T	H <sub>2</sub>	H <sub>3</sub>	C <sub>dyn</sub>	C <sub>0</sub>	
EGH15SA	24	4,5	9,5	34	26,0	4,0	0	23,1	40,1	14,80	3,50	5,7	M4 × 6	6,0	5,50	6,0	5350	9400	0,09
EGH15CA							26	39,8	56,8	10,15							7830	16190	0,15
EGH20SA	28	6,0	11,0	42	32,0	5,0	0	29,0	50,0	18,75	4,15	12,0	M5 × 7	7,5	6,00	6,0	7230	12740	0,15
EGH20CA							32	48,1	69,1	12,30							10310	21130	0,24
EGH25SA	33	7,0	12,5	48	35,0	6,5	0	35,5	59,1	21,90	4,55	12,0	M6 × 9	8,0	8,00	8,0	11400	19500	0,25
EGH25CA							35	59,0	82,6	16,15							16270	32400	0,41
EGH30SA	42	10,0	16,0	60	40,0	10,0	0	41,5	69,5	26,75	6,00	12,0	M8 × 12	9,0	8,00	9,0	16420	28100	0,45
EGH30CA							40	70,1	98,1	21,05							23700	47460	0,76
EGH35SA	48	11,0	18,0	70	50,0	10,0	0	45,0	75,0	28,50	7,00	12,0	M8 × 12	10,0	8,50	8,5	22660	37380	0,74
EGH35CA							50	78,0	108,0	20,00							33350	64840	1,10

# EG serisi

## EGW-SC / EGW-CC Geni /Geni Uzun Bloklar

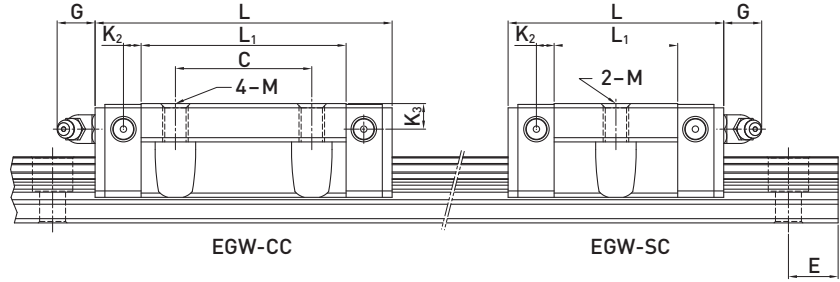
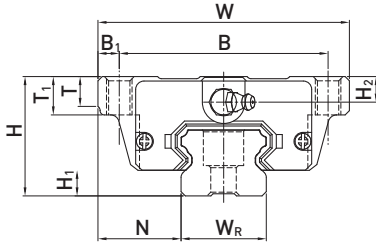
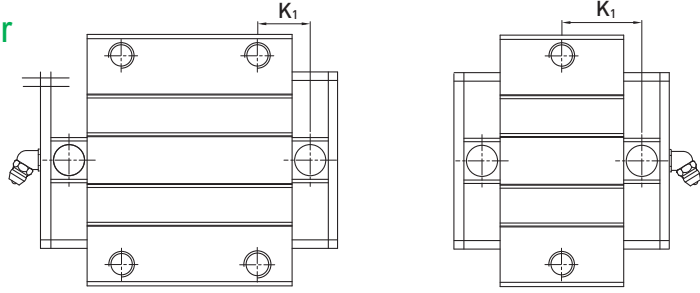
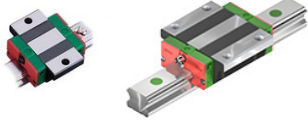


Table 1.36 Dimensions of the block

Series Size	Installation dim. [mm]			Dimensions of the block [mm]															Load Ratings [N]		Mass [kg]
	H	H <sub>1</sub>	N	W	B	B <sub>1</sub>	C	L <sub>1</sub>	L	K <sub>1</sub>	K <sub>2</sub>	G	M	T	T <sub>1</sub>	H <sub>2</sub>	H <sub>3</sub>	C <sub>dyn</sub>	C <sub>0</sub>		
EGW15SC	24	4,5	18,5	52	41,0	5,5	0	23,1	40,1	14,80	3,50	5,7	M5	5,0	7,0	5,50	6,0	5350	9400	0,12	
EGW15CC							26	39,8	56,8	10,15								7830	16190	0,21	
EGW20SC	28	6,0	19,5	59	49,0	5,0	0	29,0	50,0	18,75	4,15	12,0	M6	7,0	9,0	6,00	6,0	7230	12740	0,19	
EGW20CC							32	48,1	69,1	12,30								10310	21130	0,32	
EGW25SC	33	7,0	25,0	73	60,0	6,5	0	35,5	59,1	21,90	4,55	12,0	M8	7,5	10,0	8,00	8,0	11400	19500	0,35	
EGW25CC							35	59,0	82,6	16,15								16270	32400	0,59	
EGW30SC	42	10,0	31,0	90	72,0	9,0	0	41,5	69,5	26,75	6,00	12,0	M10	7,0	10,0	8,00	9,0	16420	28100	0,62	
EGW30CC							40	70,1	98,1	21,05								23700	47460	1,04	
EGW35SC	48	11,0	33,0	100	82,0	9,0	0	45,0	75,0	28,50	7,00	12,0	M10	10,0	13,0	8,50	8,5	22660	37380	0,91	
EGW35CC							50	78,0	108,0	20,00								33350	64840	1,40	

## EG serisi

## EG Linear Yatak Ölçüleri

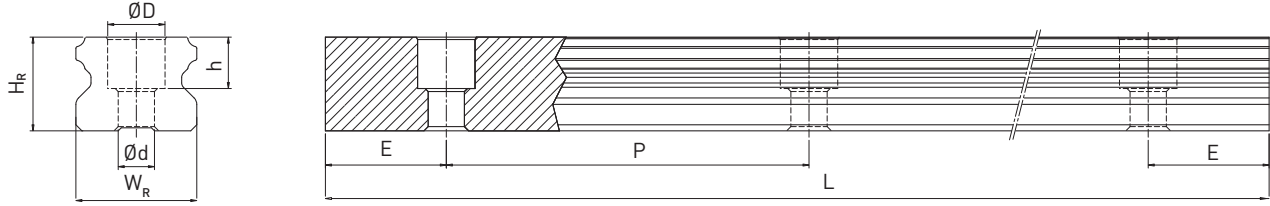
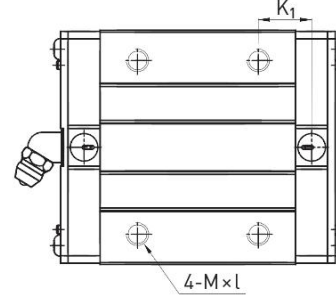
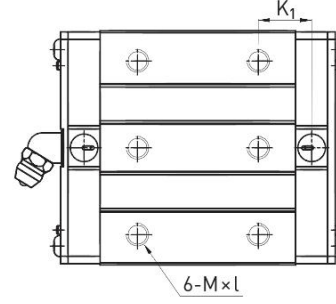
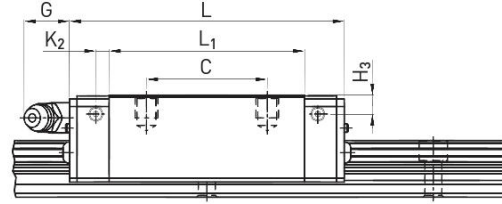
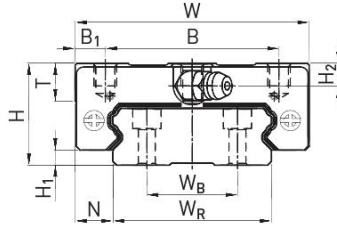


Table 1.37 Dimensions of the rail EGR\_R

Series Size	Screws for rail [mm]	Dimensions of the rail [mm] <sup>4</sup>						Max. length [mm]	Max. length $E_1 = E_2$	$E_{1/2}$ min [mm]	$E_{1/2}$ max [mm]	Mass [kg/m]
		$W_R$	$H_R$	D	h	d	P					
EGR15R	M3 × 16	15	12,5	6,0	4,5	3,5	60,0	4000	3900	6	54	1,25
EGR20R	M5 × 16	20	15,5	9,5	8,5	6,0	60,0	4000	3900	7	53	2,08
EGR25R	M6 × 20	23	18,0	11,0	9,0	7,0	60,0	4000	3900	8	52	2,67
EGR30R	M6 × 25	28	23,0	11,0	9,0	7,0	80,0	4000	3920	9	71	3,35
EGR35R	M8 × 25	34	27,5	14,0	12,0	9,0	80,0	4000	3920	9	71	6,14

## WE serisi

WEHCA  
Dar BloklarWE\_17  
WE/QW\_21WE/QW\_27  
WE/QW\_35  
WE\_50

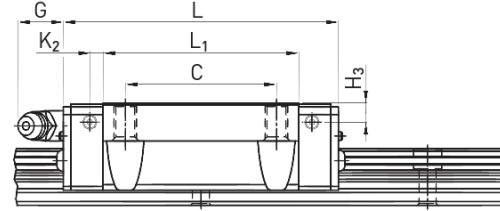
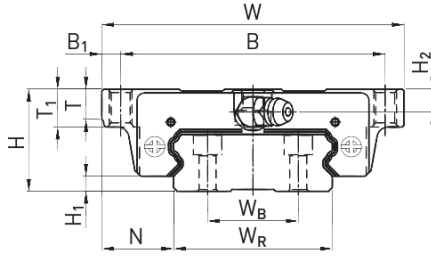
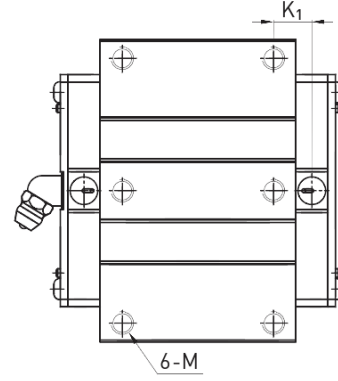
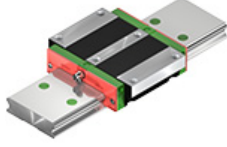
## Dimensions of the block

Series/ size	Installation dimensions [mm]			Dimensions of the block [mm]														Load ratings [N]		Weight [kg]
	H	H <sub>1</sub>	N	W	B	B <sub>1</sub>	C	L <sub>1</sub>	L	K <sub>1</sub>	K <sub>2</sub>	G	M × l	T	H <sub>2</sub>	H <sub>3</sub>	C <sub>dyn</sub>	C <sub>0</sub>		
WEH17CA	17	2,5	8,5	50	29,0	10,5	15	35,0	50,6	—	3,10	4,9	M4 × 5	6,0	4,00	3,0	5230	9640	0,12	
WEH21CA	21	3,0	8,5	54	31,0	11,5	19	41,7	59,0	14,68	3,65	12,0	M5 × 6	8,0	4,50	4,2	7210	13700	0,20	
WEH27CA	27	4,0	10,0	62	46,0	8,0	32	51,8	72,8	14,15	3,50	12,0	M6 × 6	10,0	6,00	5,0	12400	21600	0,35	
WEH35CA	35	4,0	15,5	100	76,0	12,0	50	77,6	102,6	18,35	5,25	12,0	M8 × 8	13,0	8,00	6,5	29800	49400	1,10	
WEH50CA	50	7,5	20,0	130	100,0	15,0	65	112,0	140,0	28,05	6,00	12,9	M10 × 15	19,5	12,00	10,5	61520	97000	3,16	

## WE serisi

## WEWCA

## Geni Bloklar



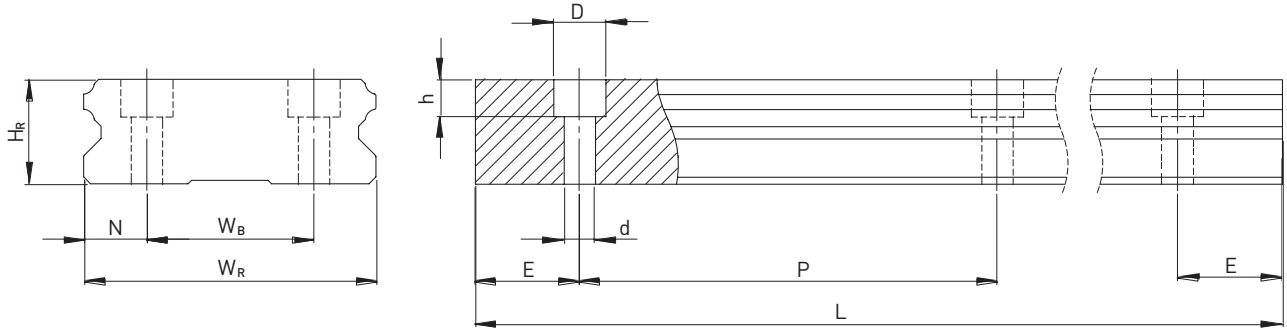
## Dimensions of the block

Series/ size	Installation dimensions [mm]			Dimensions of the block [mm]														Load Ratings [N]		Weight [kg]
	H	H <sub>1</sub>	N	W	B	B <sub>1</sub>	C	L <sub>1</sub>	L	K <sub>1</sub>	K <sub>2</sub>	G	M	T	T <sub>1</sub>	H <sub>2</sub>	H <sub>3</sub>	C <sub>dyn</sub>	C <sub>0</sub>	
WEW17CC	17	2,5	13,5	60	53,0	3,5	26	35,0	50,6	—	3,10	4,9	M4	5,3	6,0	4,00	3,0	5230	9640	0,13
WEW21CC	21	3,0	15,5	68	60,0	4,0	29	41,7	59,0	9,68	3,65	12,0	M5	7,3	8,0	4,50	4,2	7210	13700	0,23
WEW27CC	27	4,0	19,0	80	70,0	5,0	40	51,8	72,8	10,15	3,50	12,0	M6	8,0	10,0	6,00	5,0	12400	21600	0,43
WEW35CC	35	4,0	25,5	120	107,0	6,5	60	77,6	102,6	13,35	5,25	12,0	M8	11,2	14,0	8,00	6,5	29800	49400	1,26
WEW50CC	50	7,5	36,0	162	144,0	9,0	80	112,0	140,0	20,55	6,00	12,9	M10	14,0	18,0	12,00	10,5	61520	97000	3,71



## WE serisi

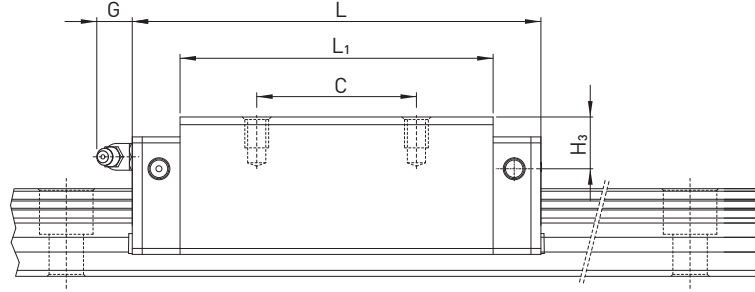
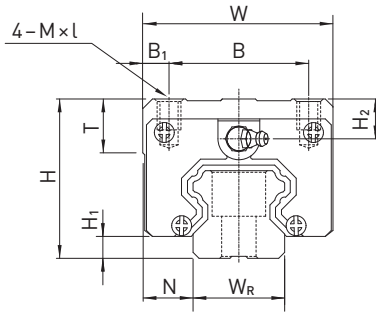
## WE Linear Yatak Ölçüleri



## Dimensions of rail WER\_R

Series/ size	Assembly screw for rail [mm]	Dimensions of the rail [mm]							Max. length [mm]	$E_{1/2}$ min [mm]	$E_{1/2}$ max [mm]	Weight [kg/m]
		$W_R$	$W_B$	$H_R$	$D$	$h$	$d$	$P$				
WER17R	M4 × 12	33	18	9,3	7,5	5,3	4,5	40,0	4000	6	34	2,20
WER21R	M4 × 12	37	22	11,0	7,5	5,3	4,5	50,0	4000	6	44	3,00
WER27R	M4 × 16	42	24	15,0	7,5	5,3	4,5	60,0	4000	6	54	4,70
WER35R	M6 × 20	69	40	19,0	11,0	9,0	7,0	80,0	4000	8	72	9,70
WER50R	M8 × 25	90	60	24,0	14,0	12,0	9,0	80,0	4000	9	71	14,60

## QH serisi

QHH-CA / QHH-HA  
Dar/Dar Uzun Bloklar

## Blok Ölçüleri

Seri	Installation dim. [mm]			Dimensions of the block [mm]											Load Ratings [N]		Mass [kg]
	H	H <sub>1</sub>	N	W	B	B <sub>1</sub>	C	L <sub>1</sub>	L	G	M × l	T	H <sub>2</sub>	H <sub>3</sub>	C <sub>dyn</sub>	C <sub>0</sub>	
QHH15CA	28	4,0	9,5	34	26,0	4,0	26	39,4	61,4	5,3	M4 × 5	6,0	7,95	8,2	13880	14360	0,18
QHH20CA	30	4,6	12,0	44	32,0	6,0	36	50,5	76,7	12,0	M5 × 6	8,0	6,00	6,0	23080	25630	0,29
QHH20HA							50	65,2	91,4						27530	31670	0,38
QHH25CA	40	5,5	12,5	48	35,0	6,5	35	58,0	83,4	12,0	M6 × 8	8,0	10,00	9,0	31780	33680	0,50
QHH25HA							50	78,6	104,0						39300	43620	0,68
QHH30CA	45	6,0	16,0	60	40,0	10,0	40	70,0	97,4	12,0	M8 × 10	8,5	9,50	9,0	46490	48170	0,87
QHH30HA							60	93,0	120,4						56720	65090	1,15
QHH35CA	55	7,5	18,0	70	50,0	10,0	50	80,0	113,6	12,0	M8 × 12	10,2	15,50	13,5	60520	63840	1,44
QHH35HA							72	105,8	139,4						73590	86240	1,90
QHH45CA	70	9,2	20,5	86	60,0	13,0	60	97,0	139,4	12,9	M10 × 17	16,0	18,50	20,0	89210	94810	2,72
QHH45HA							80	128,8	171,2						108720	128430	3,59

## QH serisi

QHW-CC / QHW-HC  
Geni /Geni Uzun Bloklar

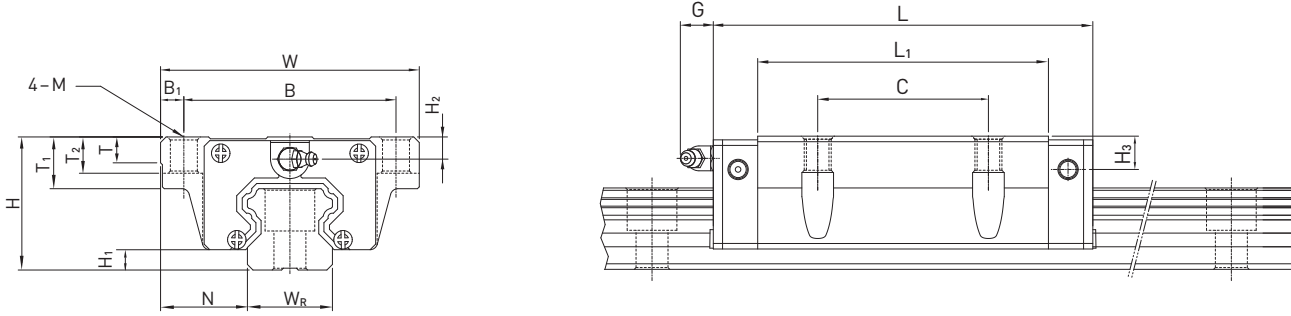
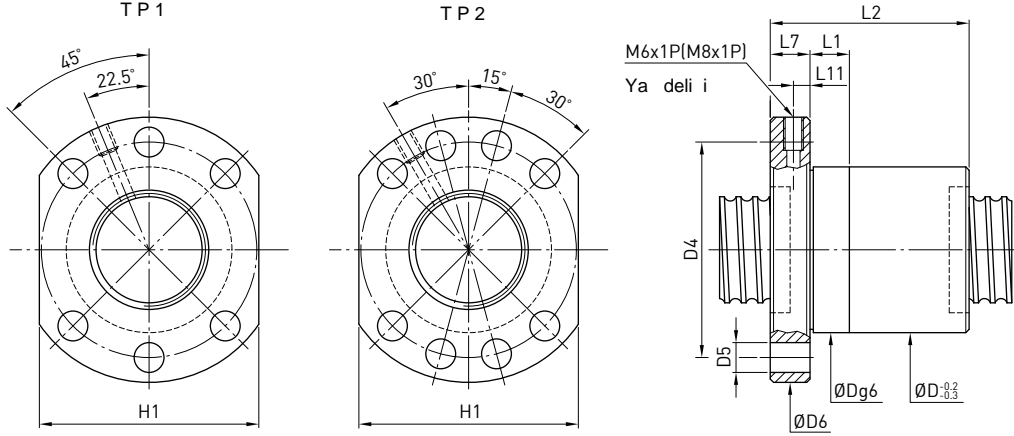


Table 1.56 Dimensions of the block

Series Size	Installation dim. [mm]			Dimensions of the block [mm]													Load Ratings [N]		Mass [kg]
	H	H <sub>1</sub>	N	W	B	B <sub>1</sub>	C	L <sub>1</sub>	L	G	M	T	T <sub>1</sub>	T <sub>2</sub>	H <sub>2</sub>	H <sub>3</sub>	C <sub>dyn</sub>	C <sub>0</sub>	
QHW15CC	24	4,0	16,0	47	38	4,5	30	39,4	61,4	5,3	M5	6,0	8,9	6,95	3,95	4,2	13880	14360	0,17
QHW20CC	30	4,6	21,5	63	53	5,0	40	50,5	76,7	12,0	M6	8,0	10,0	9,5	6,00	6,0	23080	25630	0,40
QHW20HC								65,2	91,4								27530	31670	0,52
QHW25CC	36	5,5	23,5	70	57	6,5	45	58,0	83,4	12,0	M8	8,0	14,0	10,0	6,00	5,0	31780	33680	0,59
QHW25HC								78,6	104,0								39300	43620	0,80
QHW30CC	42	6,0	31,0	90	72	9,0	52	70,0	97,4	12,0	M10	8,5	16,0	10,0	6,50	6,0	46490	48170	1,09
QHW30HC								93,0	120,4								56720	65090	1,44
QHW35CC	48	7,5	33,0	100	82	9,0	62	80,0	113,6	12,0	M10	10,1	18,0	13,0	8,50	6,5	60520	63840	1,56
QHW35HC								105,8	139,4								73590	86240	2,06
QHW45CC	60	9,2	37,5	120	100	10,0	80	97,0	139,4	12,9	M12	15,1	22,0	15,0	8,50	10,0	89210	94810	2,79
QHW45HC								128,8	171,2								108720	128430	3,69

## FSI Tip Somunlar

FSI (DIN 69051 Part 5)



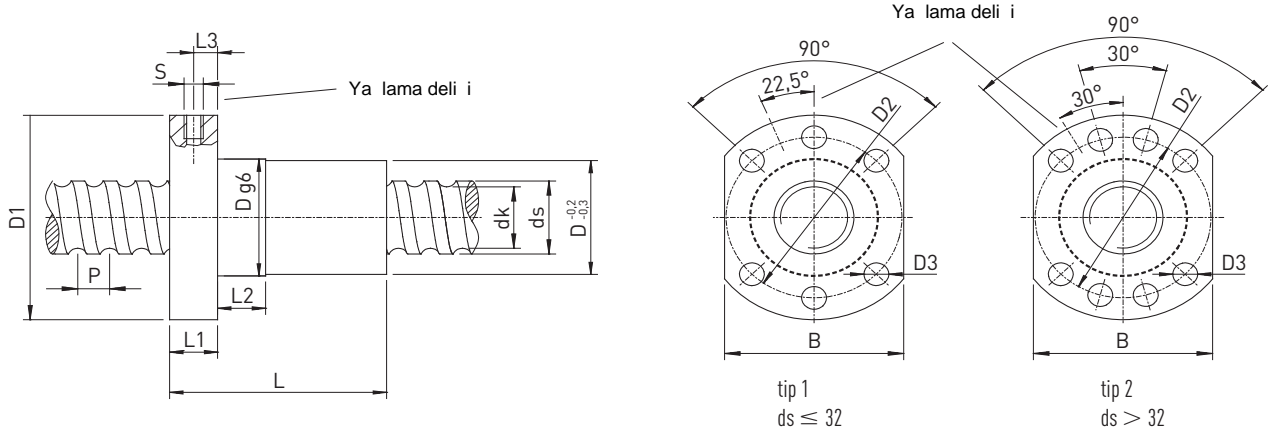
Tip	Ölçü		Bilya çapı	Dönü	Dinamik yük 1x10 <sup>6</sup> revs C ( kgf )	Statik yük Co ( kgf )	D	D4	Flan delik No.	D5	D6	H1	L1	L2	L7	L11	ya delik		
	Mil çapı	Hatve																	
16-5T3	16		3.175	3	1000	2000	28	38	6	5.5	48	40	10	40	10	5	M6x1P		
20-5T3	20	5		3	1160	2660	36	47	6	6.6	58	44	10	44	10	5	M6x1P		
20-5T4				4	1490	3550	36	47	6	6.6	58	44	10	52	10	5	M6x1P		
25-5T3	25			10	3	1320	3490	40	51	6	6.6	62	48	10	44	10	5	M6x1P	
25-5T4			4		1690	4660	40	51	6	6.6	62	48	12	52	10	5	M6x1P		
25-10T3		3	2160		4860	40	51	6	6.6	62	48	16	65	10	5	M6x1P			
32-5T3	32	5	3.175		3	1500	4660	50	65	6	9	80	62	10	46	12	6	M6x1P	
32-5T4				4	1920	6210	50	65	6	9	80	62	10	53	12	6	M6x1P		
32-5T6				6	2730	9320	50	65	6	9	80	62	10	66	12	6	M6x1P		
32-10T3				10	6.350	3	3650	8660	50	65	6	9	80	62	16	74	12	6	M6x1P
32-10T4	4	4680	11550			50	65	6	9	80	62	16	85	12	6	M6x1P			
40-5T4	40	5	3.175	4	2110	7770	63	78	8	9	93	70	10	53	14	7	M8x1P		
40-5T6				6	2990	11650	63	78	8	9	93	70	10	66	14	7	M8x1P		
40-10T3				10	6.350	3	4030	10680	63	78	8	9	93	70	16	74	14	7	M8x1P
40-10T4						4	5170	14240	63	78	8	9	93	70	16	87	14	7	M8x1P
50-5T4	50	5	3.175	4	2330	9990	75	93	8	11	110	85	10	57	16	8	M8x1P		
50-5T6				6	3310	14980	75	93	8	11	110	85	10	70	16	8	M8x1P		
50-10T3				10	6.350	3	4590	14000	75	93	8	11	110	85	16	78	16	8	M8x1P
50-10T4						4	5880	18660	75	93	8	11	110	85	16	89	16	8	M8x1P
50-10T6				6	8330	28000	75	93	8	11	110	85	16	112	16	8	M8x1P		

## FSC serisi

## C7-NW EKONOMİK SERİ

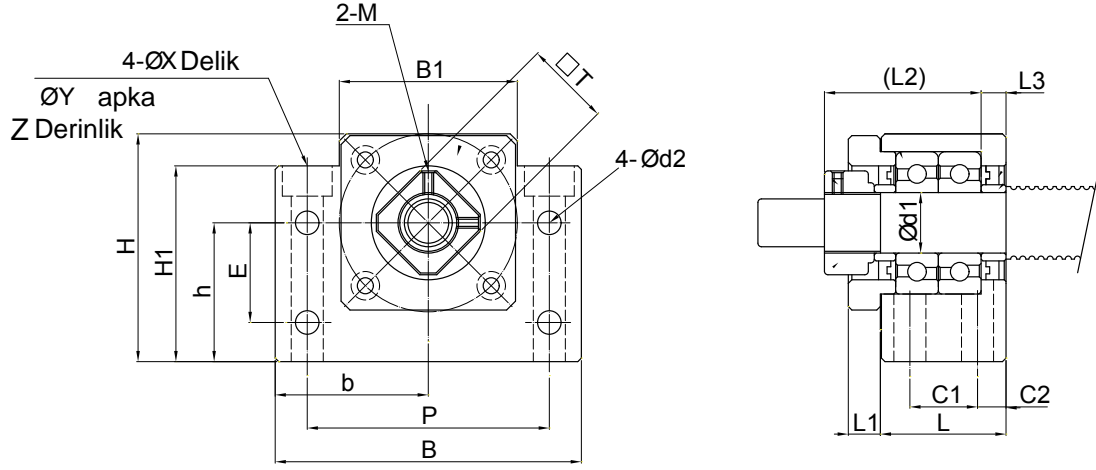
## FSC Tip Somunlar

FSC (DIN 69051 Part 5)



Seri	ds ±0,1	P	D g6	D1	D2	D3	Tip	L	L1	L2	L3	S	B	dk	Din yük C <sub>d<sub>dyn</sub></sub> [N]	Sta. yük C <sub>0</sub> [N]	Eksenel bo luk max. [mm]	A ır. [kg/pc.]
R20-20K2-FSC	19,5	20	36	58	50	6,6	1	57	10	10	5	M6	44	17,1	6800	15300	0,04	0,36
R25-25K2-FSC	24,7	25	40	62	51	6,6	1	70	10	16	5	M6	48	22,1	7400	19100	0,04	0,43
R32-32K2-FSC	31,9	32	50	80	65	9,0	1	88	12	20	6	M6	62	28,7	11600	31800	0,04	1,20
R40-40K2-FSC	37,8	40	70	100	85	9,0	2	102	14	25	7	M8 × 1	75	32,9	23000	58400	0,07	1,60

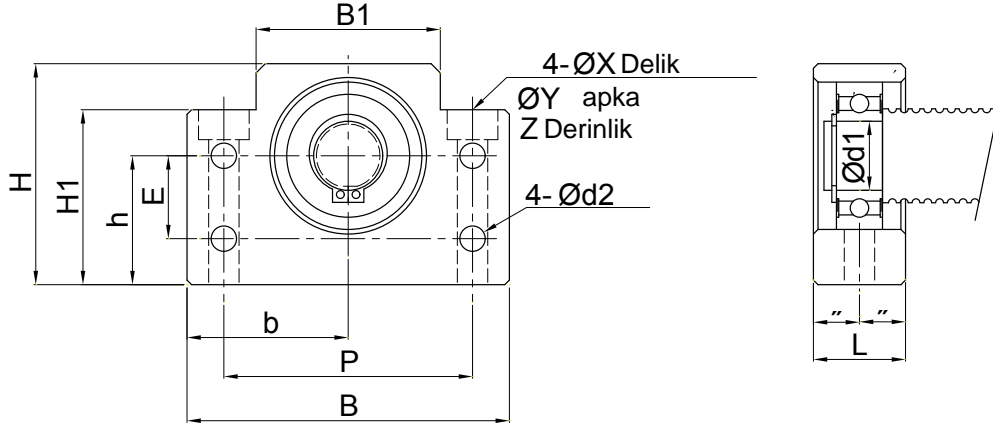
## BK Serisi



BK

Tip	Ölçüler																				A ırılık (kg)	
	d1	L	L1	L2	L3	B	H	b	h	B1	H1	E	P	C1	C2	d2	X	Y	Z	M		T
BK10	10	25	5	29.5	5	60	39	30	22	34	32.5	15	46	13	6	5.5	6.6	10.8	5	M3	16	0.4
BK12	12	25	5	29.5	5	60	43	30	25	34	32.5	18	46	13	6	5.5	6.6	10.8	1.5	M4	19	0.45
BK15	15	27	6	32	6	70	48	35	28	40	38	18	54	15	6	5.5	6.6	11	6.5	M4	22	0.6
BK17	17	35	9	44	7	86	64	43	39	50	55	28	68	19	8	6.6	9	14	8.5	M4	24	1.3
BK20	20	35	8	43	8	88	60	44	34	52	50	22	70	19	8	6.6	9	14	8.5	M4	30	1.3
BK25	25	42	12	54	9	106	80	53	48	64	70	33	85	22	10	9	11	17	11	M6	35	2.4
BK30	30	45	14	61	9	128	89	64	51	76	78	33	102	23	11	11	14	20	13	M6	40	3.4
BK35	35	50	14	67	12	140	96	70	52	88	79	35	114	26	12	11	14	20	13	M6	50	4.4
BK40	40	61	18	76	15	160	110	80	60	100	90	37	130	33	14	14	18	26	17.5	M6	50	6.8

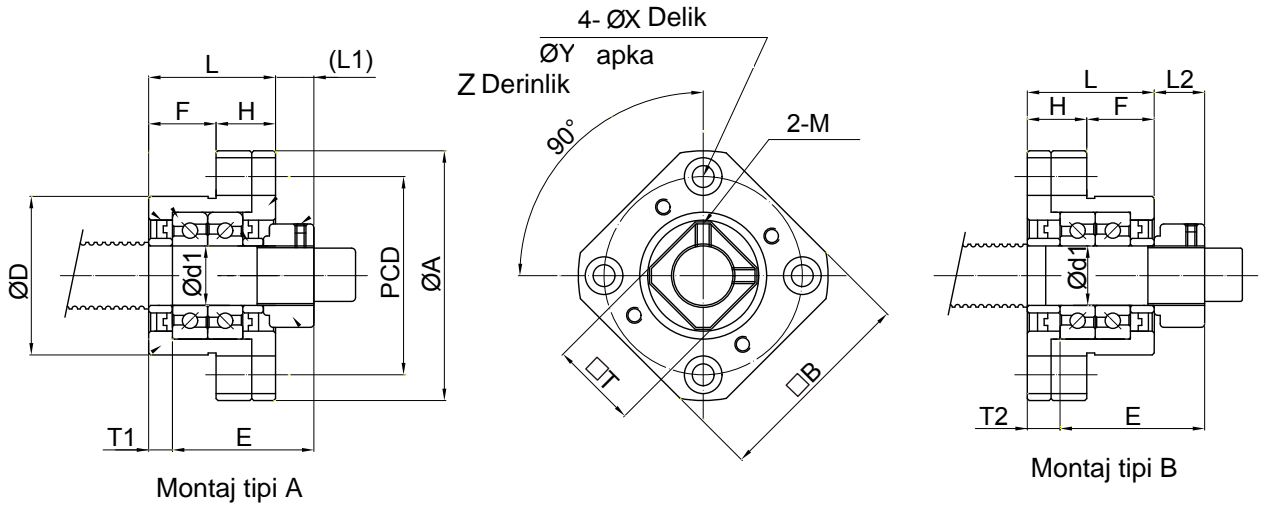
## BF Serisi



BF

Tip	Ölçüler																
	d1	L	B	H	b	h	B1	H1	E	P	d2	X	Y	Z	Rulman	Segman	A ırlık (kg)
BF10	8	20	60	39	30	22	34	32.5	15	46	5.5	6.6	10.8	5	608ZZ	S08	0.3
BF12	10	20	60	43	30	25	34	32.5	18	46	5.5	6.6	10.8	1.5	6000ZZ	S10	0.35
BF15	15	20	70	48	35	28	40	38	18	54	5.5	6.6	11	6.5	6002ZZ	S15	0.4
BF17	17	23	86	64	43	39	50	55	28	68	6.6	9	14	8.5	6203ZZ	S17	0.75
BF20	20	26	88	60	44	34	52	50	22	70	6.6	9	14	8.5	6004ZZ	S20	0.77
BF20H	20	26	88	74	44	48	52	64	-	70	-	9	14	8.5	6004ZZ	S20	1.02
BF25	25	30	106	80	53	48	64	70	33	85	9	11	17	11	6205ZZ	S25	1.45
BF30	30	32	128	89	64	51	76	78	33	102	11	14	20	13	6206ZZ	S30	1.95
BF35	35	32	140	96	70	52	88	79	35	114	11	14	20	13	6207ZZ	S35	2.25
BF40	40	37	160	110	80	60	100	90	37	130	14	18	26	17.5	6208ZZ	S40	3.3

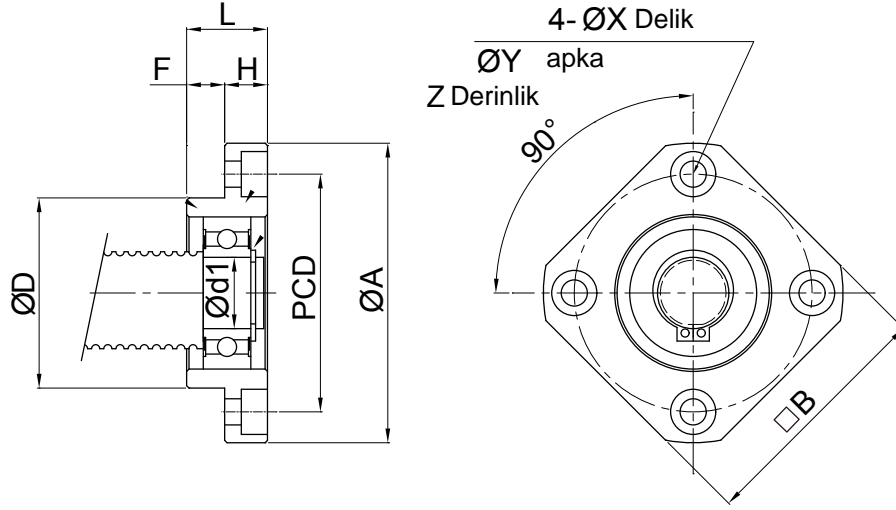
## FK Serisi



Tip	Ölçüler																		
	d1	L	H	F	E	D	A	PCD	B	Montaj tipi A		Montaj tipi B		X	Y	Z	M	T	A ırılık (kg)
										L1	T1	L2	T2						
FK05	5	16.5	6	10.5	18.5	20	34	26	26	5.5	3.5	5	3	3.4	6.5	4	M3	11	0.1
FK06	6	20	7	13	22	22	36	28	28	5.5	3.5	6.5	4.5	3.4	6.5	4	M3	11	0.1
FK08	8	23	9	14	26	28	43	35	35	7	4	8	5	3.4	6.5	4	M3	14	0.16
FK10	10	27	10	17	29.5	34	52	42	42	7.5	5	8.5	6	4.5	8	5	M3	16	0.25
FK12	12	27	10	17	29.5	36	54	44	44	7.5	5	8.5	6	4.5	8	5	M4	19	0.26
FK15	15	32	15	17	36	40	63	50	52	10	6	12	8	5.5	9.5	6	M4	22	0.4
FK17	17	45	22	23	47	50	77	62	61	11	9	14	12	6.6	11	10	M4	24	0.85
FK20	20	52	22	30	50	57	85	70	68	8	10	12	14	6.6	11	10	M4	30	1.2
FK25	25	57	27	30	60	63	98	80	79	13	10	20	17	9	15	13	M6	35	1.6
FK30	30	62	30	32	61	75	117	95	93	11	12	17	18	11	17.5	15	M6	40	2.38

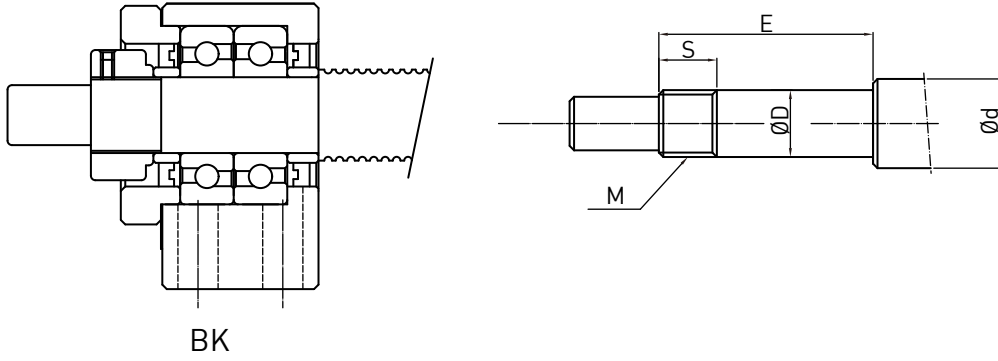


## FF Serisi



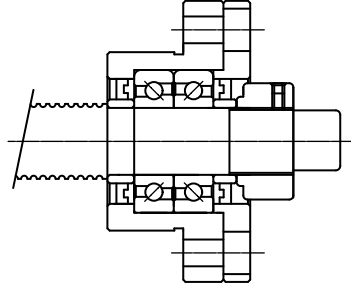
Tip	Ölçüler												Rulman	Segman	A ırlık (kg)
	d1	L	H	F	D	A	PCD	B	X	Y	Z				
FF06	6	10	6	4	22	36	28	28	3.4	6.5	4	606ZZ	S06	0.08	
FF10	8	12	7	5	28	43	35	35	3.4	6.5	4	608ZZ	S08	0.1	
FF12	10	15	7	8	34	52	42	42	4.5	8	4	6000ZZ	S10	0.15	
FF15	15	17	9	8	40	63	50	52	5.5	9.5	5.5	6002ZZ	S15	0.22	
FF17	17	20	11	9	50	77	62	61	6.6	11	6.5	6203ZZ	S17	0.35	
FF20	20	20	11	9	57	85	70	68	6.6	11	6.5	6204ZZ	S20	0.45	
FF25	25	24	14	10	63	98	80	79	9	14	8.5	6205ZZ	S25	0.66	
FF30	30	27	18	9	75	117	95	93	11	17	11	6206ZZ	S30	1.05	

## BK serisi

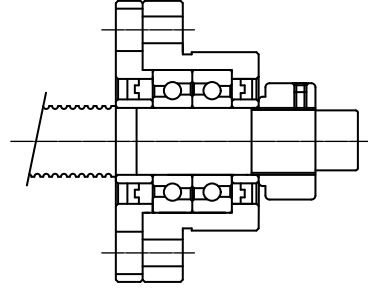


Tip	Ölçüler				
	d	D	E	M	S
BK10	10-15	10	36	M10 x 1	12
BK12	14-18	12	36	M12 x 1	12
BK15	20	15	40	M15 x 1	12
BK17	25-28	17	53	M17 x 1	17
BK20	25-28	20	53	M20 x 1	15
BK25	30-36	25	66	M25 x 1.5	20
BK30	40	30	73	M30 x 1.5	25
BK35	45	35	82	M30 x 1.5	26
BK40	50	40	94	M40 x 1.5	30

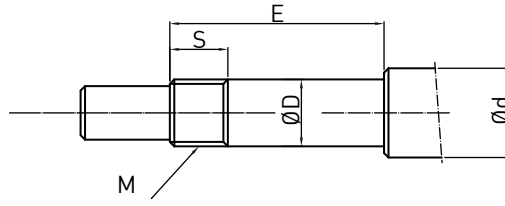
## FK Serisi



Montaj tipi A



Montaj tipi B

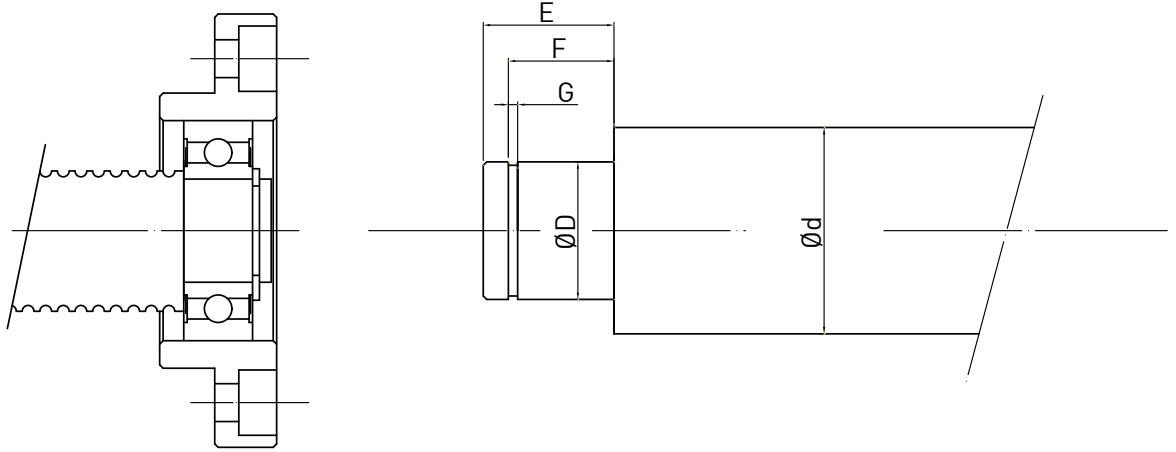


Tip				Ölçüler				
FK	EK	AK	LK	d	D	E	M	S
FK05	EK05	-	-	8	5	23	M5 x 0.5	7
FK06	EK06	-	-	8	6	28	M6 x 0.75	8
FK08	EK08	-	LK08	10-12	8	32	M8 x 1	10
FK10	EK10	AK10	LK10	10-15	10	36	M10 x 1	12
FK12	EK12	AK12	LK12	14-18	12	36	M12 x 1	12
FK15	EK15	AK15	LK15	20	15	48	M15 x 1	13
FK17	-	-	-	25-28	17	59	M17 x 1	17
FK20	EK20	AK20	-	25-28	20	64	M20 x 1	16
FK25	-	AK25	-	30-36	25	76	M25 x 1.5	20
FK30	-	-	-	40	30	73	M30 x 1.5	25

## BF-FF Serisi

Mil Uç Yatağı

BF-FF



Tip					Ölçüler				
FF	EF	BF	AF	LF	d	D	E	F	G
FF06	EF06	-	-	-	8	6	9	6.8	0.8
-	EF08	-	-	LF08	10-12	6	9	6.8	0.8
FF10	EF10	BF10	AF10	-	10-15	8	10	7.9	0.9
FF12	EF12	BF12	AF12	-	14-18	10	11	9.15	1.15
FF15	EF15	BF15	AF15	LF12	20	15	13	10.15	1.15
FF17	-	BF17	-	LF15	25-28	17	16	13.15	1.15
FF20	EF20	(BF20)	AF20	-	25-28	20	19(16)	15.35(13.35)	1.35
FF25	-	BF25	AF25	-	30-36	25	20	16.35	1.35
FF30	-	BF30	-	-	40	30	21	17.75	1.75
-	-	BF35	-	-	45	35	22	18.75	1.75
-	-	BF40	-	-	50	40	23	19.95	1.95